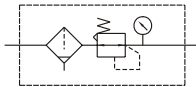


# MAFR200 series

AIR UNITS (F.R.UNIT)



Symbol:



## Specification:

Model	MAFR200	
Bore No.	6A	8A
Port size	PT 1/8	PT 1/4
Medium	Air	
Operating pressure range	0~9.9 kgf/cm <sup>2</sup> (0~0.99 MPa)	
Proof pressure	15 kgf/cm <sup>2</sup> (1.5 MPa)	
Effective orifice	7 mm <sup>2</sup>	13 mm <sup>2</sup>
Regulation pressure range	0.5~8.5 kgf/cm <sup>2</sup> (0.05~0.85 MPa)	
Ambient temperature	-5~+60°C (No freezing)	
Filtration	Standard: 40 μm Option: 5 μm	
Attachment	Pressure gauge, bracket	
Weight	357 g	

Order example:

**MAFR200 - 6A - 1K - BSP**

MODEL

BORE SIZE

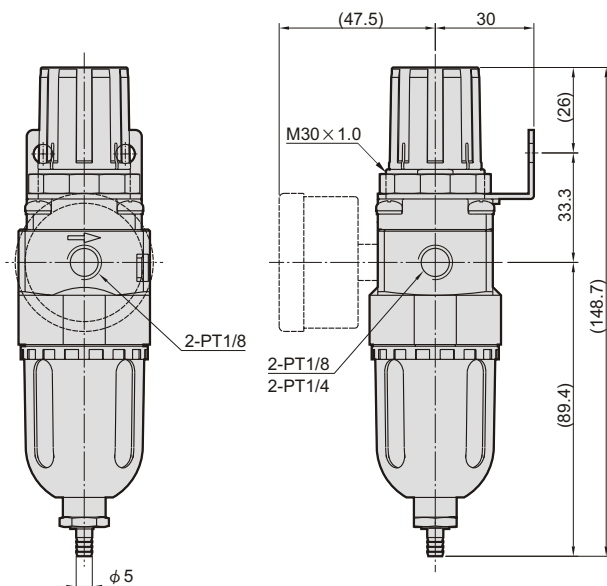
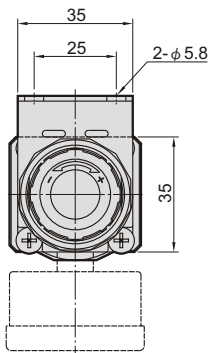
6A: PT 1/8  
8A: PT 1/4

Adjustable Press. Range

Blank: Standard Type  
1K: 0~1 kgf/cm<sup>2</sup>  
2K: 0~2 kgf/cm<sup>2</sup>  
3K: 0~3 kgf/cm<sup>2</sup>  
4K: 0~4 kgf/cm<sup>2</sup>

PORT THREAD

Blank: PT thread  
BSP: BSP thread  
NPT: NPT thread



## Flow feature:

